



# Product Specification

G170EG01 V1

AU OPTRONICS CORPORATION

# Preliminary Specification

◆ Final Specification

<b>Module</b>	17.0" SXGA Color TFT-LCD
<b>Model Name</b>	G170EG01 V1

Customer	Date
_____	_____
<b>Approved by</b>	
Note: This Specification is subject to change without notice.	

Checked & Approved by	Date
<i>Vito Huang</i>	2014/01/15
<b>Prepared by</b>	
<i>Elsie Kuo</i>	2014/01/15
Desktop Display Business Group / AU Optronics corporation	



**Contents**

**1. Handling Precautions ..... 5**

**2. General Description. .... 6**

    2.1 Display Characteristics ..... 6

    2.2 Optical Characteristics ..... 7

**3. Functional Block Diagram. .... 11**

**4. Absolute Maximum Ratings ..... 12**

    4.1 TFT LCD Module ..... 12

    4.2 Backlight Unit. .... 12

    4.3 Absolute Ratings of Environment..... 12

**5. Electrical characteristics. .... 13**

    5.1 TFT LCD Module ..... 13

    5.2 Backlight Unit. .... 15

**6. Signal Characteristic..... 16**

    6.1 Pixel Format Image ..... 16

    6.2 The Input Data Format ..... 16

    6.3 Signal Description ..... 17

    6.4 Timing Characteristics ..... 19

    6.5 Power ON/OFF Sequence..... 21

**7. Connector & Pin Assignment ..... 22**

    7.1 TFT LCD Module ..... 22

    7.2 Backlight Unit. .... 23

**8. Reliability Test..... 24**

**9. Label and Packaging..... 25**

    9.1 Shipping Label (on the rear side of TFT-LCD display) ..... 25

    9.2 Carton Package ..... 25

**10. Mechanical Characteristics ..... 27**



**Record of Revision**

Version and Date	Page	Old description	New Description	Remark																																										
0.1 2011/01/12	All	First Edition for Customer	All																																											
0.2 2011/01/14	5	350 (center, Typ)@7.5 mA	350																																											
	24	<table border="1"> <thead> <tr> <th>Items</th> <th>Required Condition</th> </tr> </thead> <tbody> <tr> <td>Temperature Humidity Bias (THB)</td> <td>Ta= 50°C, 90%RH, 300hours</td> </tr> </tbody> </table>	Items	Required Condition	Temperature Humidity Bias (THB)	Ta= 50°C, 90%RH, 300hours	<table border="1"> <thead> <tr> <th>Items</th> <th>Required Condition</th> </tr> </thead> <tbody> <tr> <td>Temperature Humidity Bias (THB)</td> <td>Ta= 50°C, 80%RH, 300hours</td> </tr> </tbody> </table>	Items	Required Condition	Temperature Humidity Bias (THB)	Ta= 50°C, 80%RH, 300hours																																			
Items	Required Condition																																													
Temperature Humidity Bias (THB)	Ta= 50°C, 90%RH, 300hours																																													
Items	Required Condition																																													
Temperature Humidity Bias (THB)	Ta= 50°C, 80%RH, 300hours																																													
0.3 2011/01/24	11																																													
	26	Thickness= 15.8 mm	Thickness= 18.0 mm																																											
0.4 2011/04/06	5, 6	Optical ResponseTime= 5 ms	Optical ResponseTime= 30 ms																																											
	5	This module does not contain an inverter card for backlight.	This module embeds an LED driver on it.																																											
	5	Weight: 1800 (g) Typ.	Weight: 1350 (g) Typ.																																											
	11	<table border="1"> <thead> <tr> <th colspan="7">4.2 Backlight Unit</th> </tr> <tr> <th>Item</th> <th>Symbol</th> <th>Min.</th> <th>Max.</th> <th>Unit</th> <th colspan="2">Conditions</th> </tr> </thead> <tbody> <tr> <td>LED Current</td> <td>ICFL</td> <td>-</td> <td>110</td> <td>(mA)</td> <td colspan="2">Note 1, 2</td> </tr> </tbody> </table>	4.2 Backlight Unit							Item	Symbol	Min.	Max.	Unit	Conditions		LED Current	ICFL	-	110	(mA)	Note 1, 2		<table border="1"> <thead> <tr> <th colspan="7">4.2 Backlight Unit</th> </tr> <tr> <th>Item</th> <th>Symbol</th> <th>Min.</th> <th>Max.</th> <th>Unit</th> <th colspan="2">Conditions</th> </tr> </thead> <tbody> <tr> <td>LED Forward Current</td> <td>I<sub>f</sub></td> <td>-</td> <td>120</td> <td>(mA)</td> <td colspan="2">Note 1, 2</td> </tr> </tbody> </table>	4.2 Backlight Unit							Item	Symbol	Min.	Max.	Unit	Conditions		LED Forward Current	I <sub>f</sub>	-	120	(mA)	Note 1, 2		
4.2 Backlight Unit																																														
Item	Symbol	Min.	Max.	Unit	Conditions																																									
LED Current	ICFL	-	110	(mA)	Note 1, 2																																									
4.2 Backlight Unit																																														
Item	Symbol	Min.	Max.	Unit	Conditions																																									
LED Forward Current	I <sub>f</sub>	-	120	(mA)	Note 1, 2																																									
	23	No pins drawing of LED driver board	New add pins drawing																																											
1.0 2011/09/30	6	Without RGB color coordinate	<table border="1"> <tbody> <tr> <td>Red x<sup>2</sup></td> <td>0.590</td> <td>0.640</td> <td>0.690</td> </tr> <tr> <td>Red y<sup>2</sup></td> <td>0.289</td> <td>0.339</td> <td>0.389</td> </tr> <tr> <td>Green x<sup>2</sup></td> <td>0.273</td> <td>0.323</td> <td>0.373</td> </tr> <tr> <td>Green y<sup>2</sup></td> <td>0.563</td> <td>0.613</td> <td>0.663</td> </tr> <tr> <td>Blue x<sup>2</sup></td> <td>0.083</td> <td>0.143</td> <td>0.193</td> </tr> <tr> <td>Blue y<sup>2</sup></td> <td>0.020</td> <td>0.070</td> <td>0.120</td> </tr> </tbody> </table>	Red x <sup>2</sup>	0.590	0.640	0.690	Red y <sup>2</sup>	0.289	0.339	0.389	Green x <sup>2</sup>	0.273	0.323	0.373	Green y <sup>2</sup>	0.563	0.613	0.663	Blue x <sup>2</sup>	0.083	0.143	0.193	Blue y <sup>2</sup>	0.020	0.070	0.120																			
Red x <sup>2</sup>	0.590	0.640	0.690																																											
Red y <sup>2</sup>	0.289	0.339	0.389																																											
Green x <sup>2</sup>	0.273	0.323	0.373																																											
Green y <sup>2</sup>	0.563	0.613	0.663																																											
Blue x <sup>2</sup>	0.083	0.143	0.193																																											
Blue y <sup>2</sup>	0.020	0.070	0.120																																											
	6	<table border="1"> <tbody> <tr> <td>Contrast Ratio</td> <td>-</td> <td>-</td> <td>500</td> <td>1000</td> <td>-</td> <td>4</td> </tr> </tbody> </table>	Contrast Ratio	-	-	500	1000	-	4	<table border="1"> <tbody> <tr> <td>Contrast Ratio</td> <td>-</td> <td>-</td> <td>500</td> <td>800</td> <td>-</td> <td>4</td> </tr> </tbody> </table>	Contrast Ratio	-	-	500	800	-	4																													
Contrast Ratio	-	-	500	1000	-	4																																								
Contrast Ratio	-	-	500	800	-	4																																								
	24	Without EMI item is RA list	<table border="1"> <tbody> <tr> <td>EMI</td> <td>30-300 MHz, limit 40 dBu /V/m, 330-1000 MHz, limit 47 dBu /V/m</td> </tr> </tbody> </table>	EMI	30-300 MHz, limit 40 dBu /V/m, 330-1000 MHz, limit 47 dBu /V/m																																									
EMI	30-300 MHz, limit 40 dBu /V/m, 330-1000 MHz, limit 47 dBu /V/m																																													
	25	Outside dimension of carton:434(L)mm*278(W)mm*390(H)mm	Outside dimension of carton:426(L)mm*270(W)mm*375(H)mm																																											
1.1 2012/02/01	5	Operation temperature -30 to +85	Operation temperature -30 to +70																																											
1.2 2012/05/25	6	No Color Gamut spec	Add Color Gamut 72%																																											
1.3 2012/07/12		Change View Angle Spec & Delete	Change View Angle spec(CR=10) & Delete																																											



# Product Specification

G170EG01 V1

AU OPTRONICS CORPORATION

		View Angle spec(CR=5)	View Angle spec(CR=5) Typ. From L85/R85/U80/D80 to L80/R80/U60/D80 Min From L70/R70/U70/D70 to L70/R70/U50/D70	
1.4 2013/6/24	6	Operation temperature -30 to +70	Operation temperature -30 to +85	
	25	<b>9.2 Carton Package</b> Max capacity : 8 TFT-LCD module per carton Max weight: 14 kg per carton Outside dimension of carton: 426(L)mm*270(W)mm*375(H)mm	<b>9.2 Carton Package</b> Max capacity : 8 TFT-LCD module per carton Max weight: 18 kg per carton Outside dimension of carton: 434(L)mm*278(W)mm*391(H)mm	
	26	No palletizing info	Add palletizing info	
1.5 2014/1/15	27		Correct Mechanical drawing description	



## 1. Handling Precautions

- 1) Since front polarizer is easily damaged, pay attention not to scratch it.
- 2) Be sure to turn off power supply when inserting or disconnecting from input connector.
- 3) Wipe off water drop immediately. Long contact with water may cause discoloration or spots.
- 4) When the panel surface is soiled, wipe it with absorbent cotton or other soft cloth.
- 5) Since the panel is made of glass, it may break or crack if dropped or bumped on hard surface.
- 6) Since CMOS LSI is used in this module, take care of static electricity and insure human earth when handling.
- 7) Do not open or modify the Module Assembly.
- 8) Do not press the reflector sheet at the back of the module to any directions.
- 9) In case if a Module has to be put back into the packing container slot after once it was taken out from the container, do not press the center of the LED light bar edge. Instead, press at the far ends of the LED light bar edge softly. Otherwise the TFT Module may be damaged.
- 10) At the insertion or removal of the Signal Interface Connector, be sure not to rotate nor tilt the Interface Connector of the TFT Module.
- 11) After installation of the TFT Module into an enclosure, do not twist nor bend the TFT Module even momentary. At designing the enclosure, it should be taken into consideration that no bending/twisting forces are applied to the TFT Module from outside. Otherwise the TFT Module may be damaged.
- 12) Small amount of materials having no flammability grade is used in the LCD module. The LCD module should be supplied by power complied with requirements of Limited Power Source (IEC60950 or UL1950), or be applied exemption.



## 2. General Description

This specification applies to the 17 inch Color TFT-LCD Module G170EG01 V1.

The display supports the SXGA+ (1280(H) x 1024(V)) screen format and 16.7M colors (RGB 6-bits+Hi-FRC data). All input signals are 2 Channel LVDS interface compatible.

This module embeds an LED driver on it.

### 2.1 Display Characteristics

The following items are characteristics summary on the table under 25 °C condition:

Items	Unit	Specifications
Screen Diagonal	[mm]	432 (17.0")
Active Area	[mm]	337.920(H) x 270.336(V)
Pixels H x V		1280 x 3(RGB) x 1024
Pixel Pitch	[mm]	0.264(per one triad) x 0.264
Pixel Arrangement		R.G.B. Vertical Stripe
Display Mode		Normally White
White Luminance	[cd/m <sup>2</sup> ]	350
Contrast Ratio		800 : 1 (Typ)
Optical Response Time	[msec]	30 (Typ)
Nominal Input Voltage VDD	[Volt]	+5.0 (Typ)
Power Consumption (VDD line + LED line)	[Watt]	22 W (Typ.) (with LED driver, all black pattern)
Weight	[Grams]	1350 Typ.
Physical Size (H x V x D)	[mm]	358.5(H) x 296.5(V) Typ. x 18.0(D) Max
Electrical Interface		Dual Channel LVDS
Surface Treatment		Anti-glare type, Hardness 3H
Support Color		16.7M colors (RGB 6-bits +Hi-FRC data)
Temperature Range Operating	[°C]	-30 to +85
Storage (Non-Operating)	[°C]	-30 to +85
RoHS Compliance		RoHS Compliance



### 2.2 Optical Characteristics

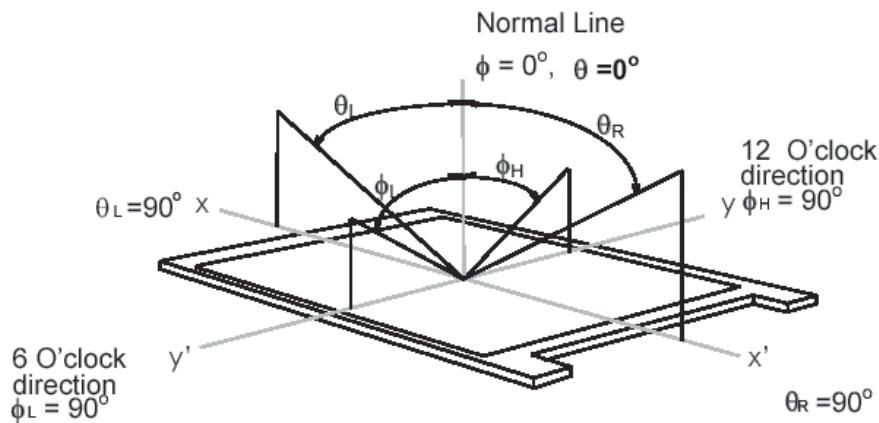
The optical characteristics are measured under stable conditions at 25°C (Room Temperature):

Item	Unit	Conditions	Min.	Typ.	Max.	Note
Viewing Angle	[degree]	Horizontal (Right) CR = 10 (Left)	70 70	80 80	-	1
		Vertical (Up) CR = 10 (Down)	50 70	60 80	-	
Luminance Uniformity	[%]	9 Points	75	80	-	2, 3
Optical Response Time	[msec]	Rising	-	20	25	4, 6
		Falling	-	10	15	
		Rising + Falling	-	30	40	
Color / Chromaticity Coordinates (CIE 1931)		Red x	0.598	0.648	0.698	4
		Red y	0.289	0.339	0.389	
		Green x	0.273	0.323	0.373	
		Green y	0.563	0.613	0.663	
		Blue x	0.093	0.143	0.193	
		Blue y	0.020	0.070	0.120	
		White x	0.263	0.313	0.363	
White y	0.279	0.329	0.379			
White Luminance (At LED= 110mA)	[cd/m <sup>2</sup> ]		280	350	-	4
Contrast Ratio			600	800	-	4
Cross Talk (At 75Hz)	[%]		-	-	1.5	5
Flicker	[dB]		-	-	-20	7
Color Gamut	[%]			72		

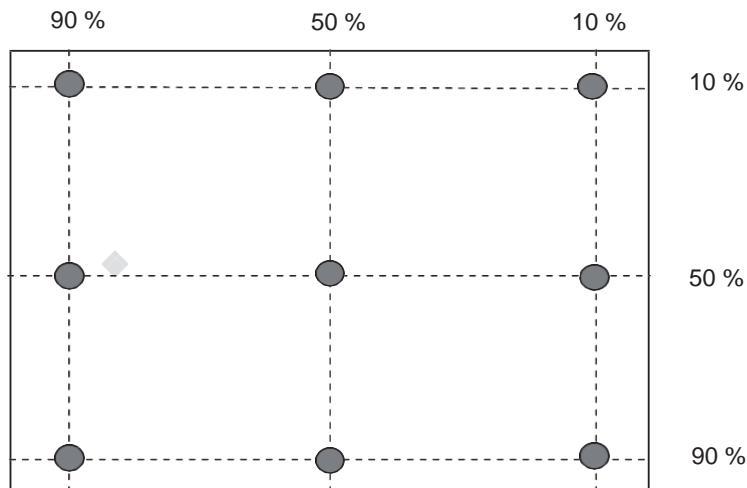
Optical Equipment: BM-5A, BM-7, PR880, or equivalent

**Note 1: Definition of viewing angle**

Viewing angle is the measurement of contrast ratio  $\check{S}10$ , at the screen center, over a 180° horizontal and 180° vertical range (off-normal viewing angles). The 180° viewing angle range is broken down as follows; 90° (0) horizontal left and right and 90° (0) vertical, high (up) and low (down). The measurement direction is typically perpendicular to the display surface with the screen rotated about its center to develop the desired measurement viewing angle.



**Note 2: 9 points position**



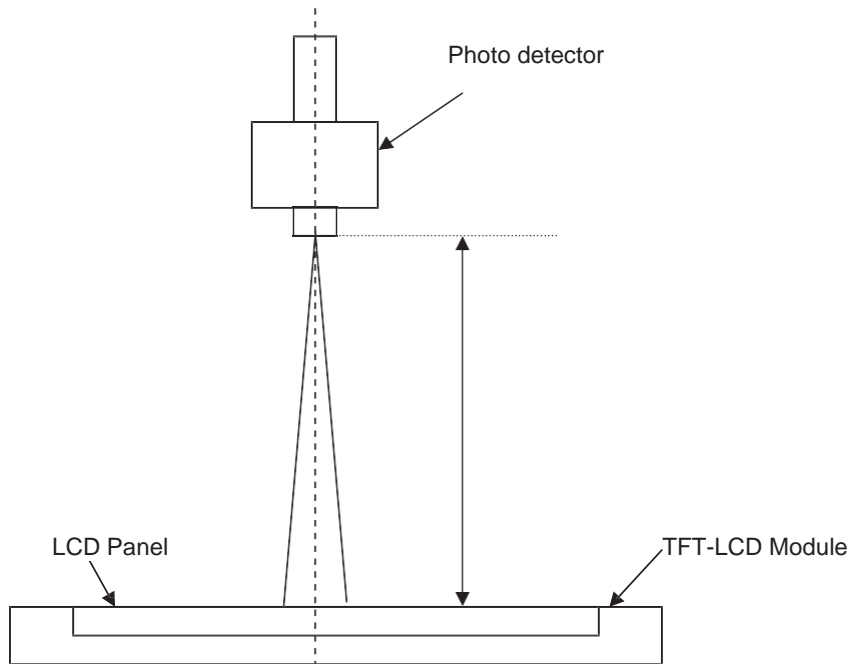
Note 3: The luminance uniformity of 9 points is defined by dividing the maximum luminance values by the minimum test point luminance

$$G_{W9} = \frac{\text{Minimum Luminance of 9 points}}{\text{Maximum Luminance of 9 points}}$$



**Note 4: Measurement method**

The LCD module should be stabilized at given temperature for 30 minutes to avoid abrupt temperature change during measuring. In order to stabilize the luminance, the measurement should be executed after lighting Backlight for 30 minutes in a stable, windless and dark room.



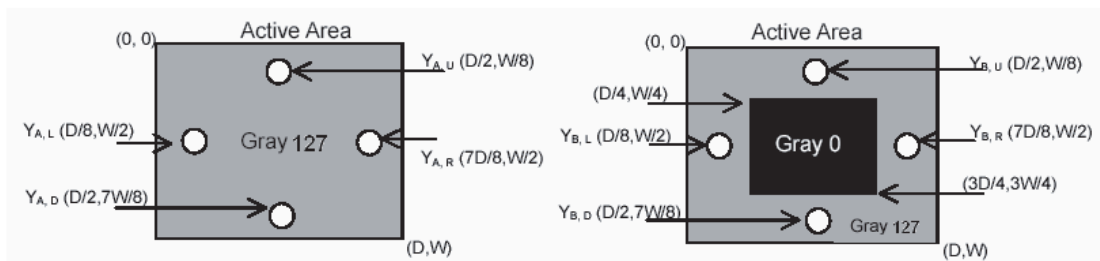
**Note 5: Definition of Cross Talk (CT)**

$$CT = | Y_B - Y_A | / Y_A \times 100 (\%)$$

Where

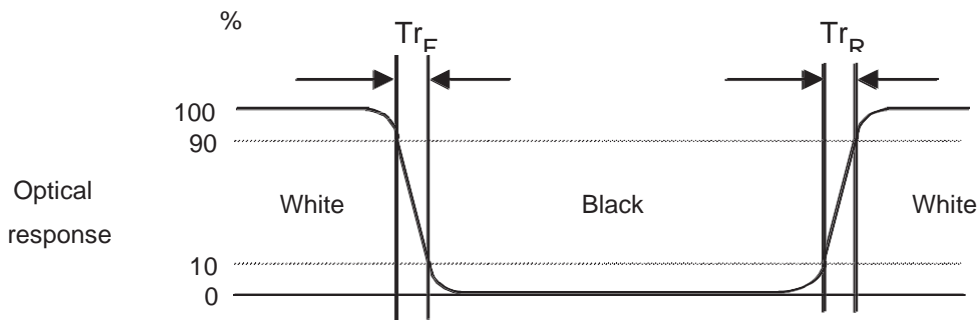
$Y_A$  = Luminance of measured location without gray level 0 pattern (cd/m<sup>2</sup>)

$Y_B$  = Luminance of measured location with gray level 0 pattern (cd/m<sup>2</sup>)

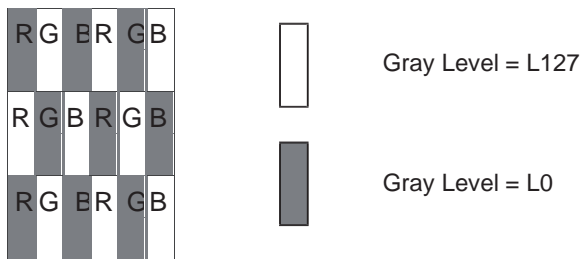


Note 6: Definition of response time:

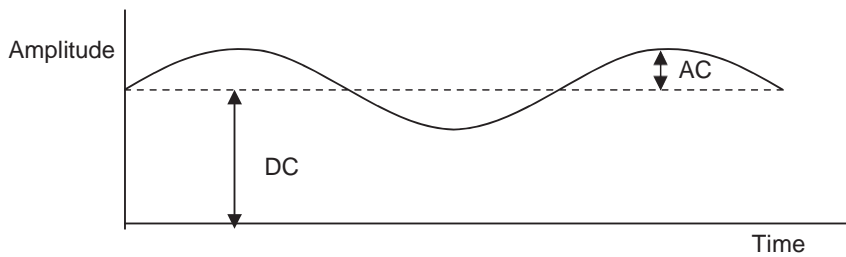
The output signals of photo detector are measured when the input signals are changed from “Full Black” to “Full White” (rising time), and from “Full White” to “Full Black ”(falling time), respectively. The response time is interval between the 10% and 90% of amplitudes. Please refer to the figure as below.



Note 7: Subchecker Pattern



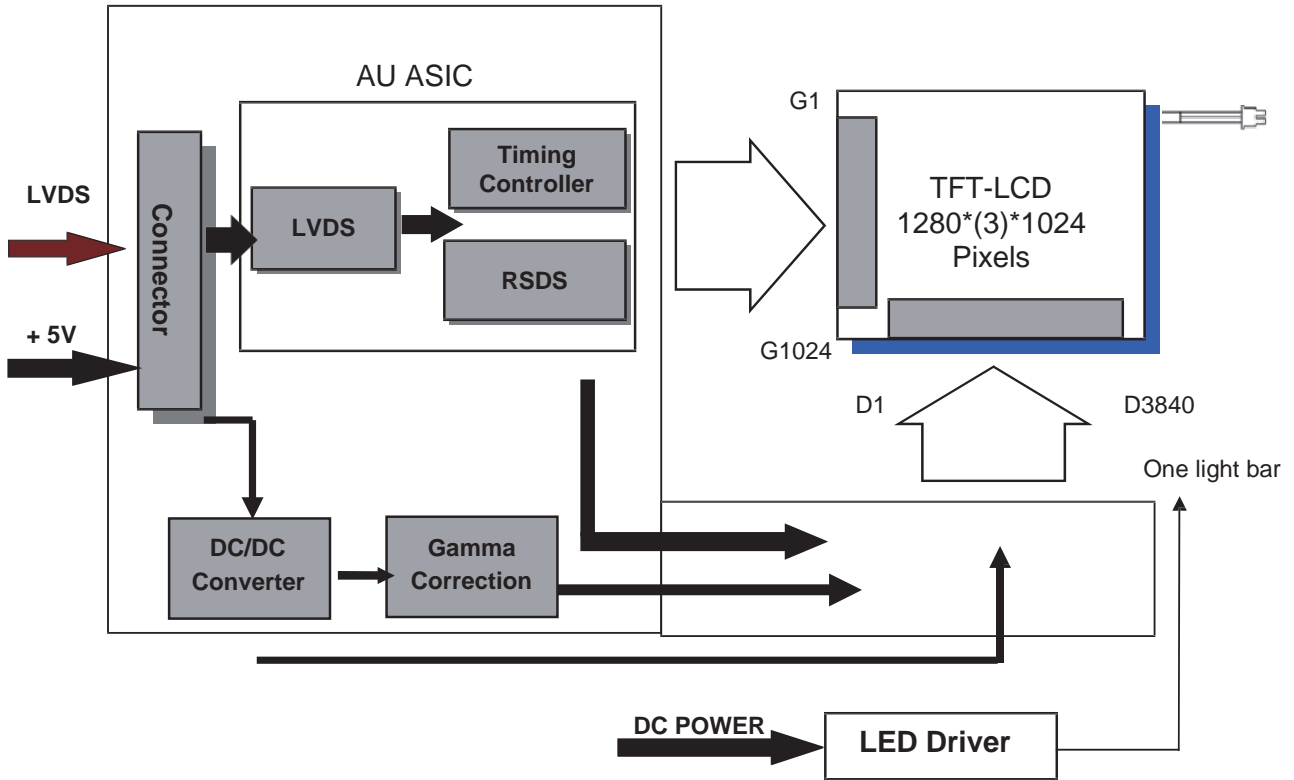
Method: Record dBV & DC value with (WESTAR)TRD-100



$$\text{Flicker (dB)} = 20 \log \frac{\text{AC Level(at 30 Hz)}}{\text{DC Level}}$$

### 3. Functional Block Diagram

The following diagram shows the functional block of the 17.0 inches Color TFT-LCD Module:



**PCBA Connector:**

JAE FI-XB30SSL-HF15  
Or Compatible

**LED Driver Connector:**

3806K-F06Y-03R  
Or Compatible

## 4. Absolute Maximum Ratings

Absolute maximum ratings of the module is as following:

### 4.1 TFT LCD Module

Item	Symbol	Min	Max	Unit	Conditions
Logic/LCD Drive Voltage	VIN	-0.3	6	[Volt]	<b>Note 1,2</b>

### 4.2 Backlight Unit

Item	Symbol	Min	Max	Unit	Conditions
LED Forward Current	I <sub>F</sub>	-	120	[mA]	<b>Note 1,2</b>

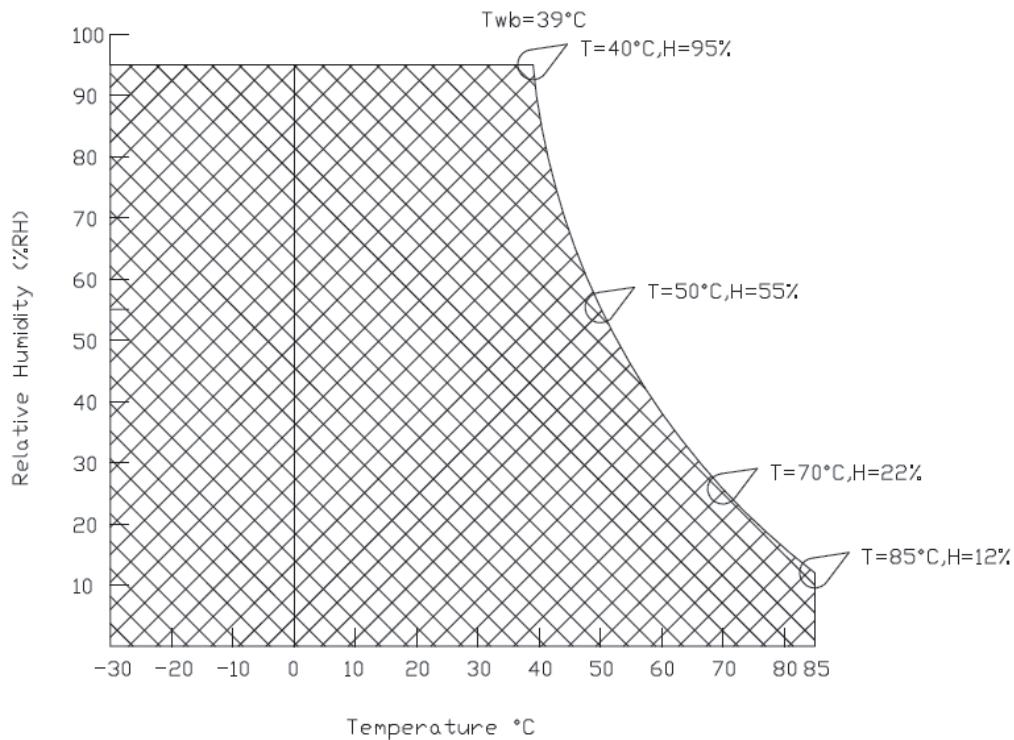
### 4.3 Absolute Ratings of Environment

Item	Symbol	Min	Max	Unit	Conditions
Operating Temperature	TOP	-30	+85	[°C]	<b>Note 3</b>
Operation Humidity	HOP	8	90	[%RH]	
Storage Temperature	TST	-30	+85	[°C]	
Storage Humidity	HST	8	90	[%RH]	

**Note 1:** With in Ta (25℃)

**Note 2:** Permanent damage to the device may occur if exceed maximum values

**Note 3:** For quality performance, please refer to AUO IIS (Incoming Inspection Standard).



## 5. Electrical characteristics

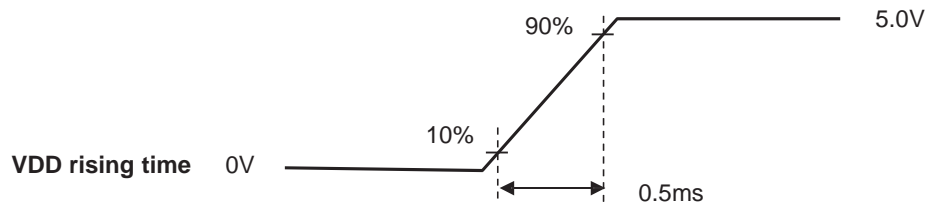
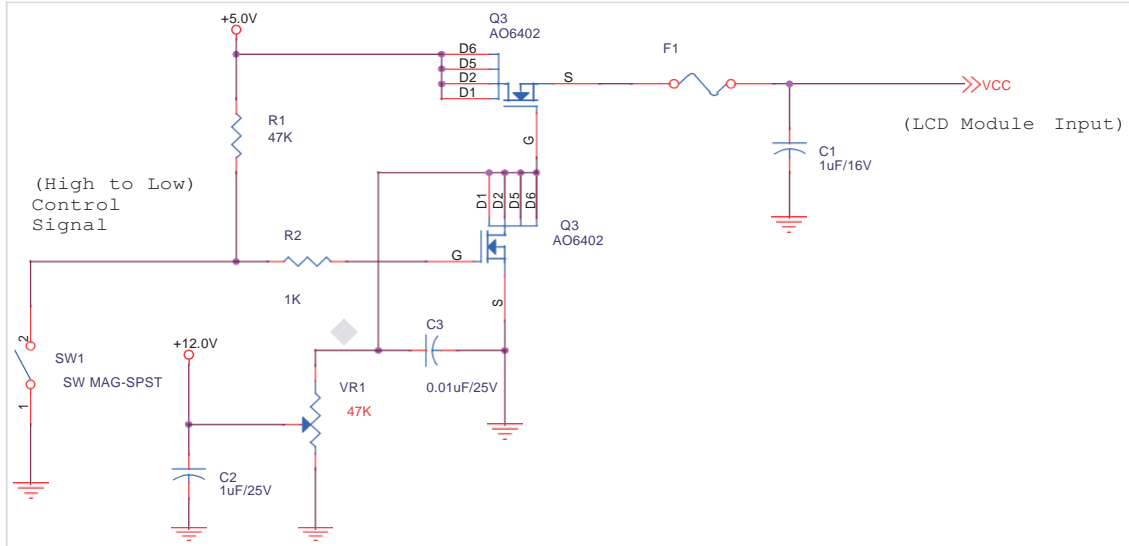
### 5.1 TFT LCD Module

#### 5.1.1 Power Specification

Input power specifications are as follows:

Symble	Parameter	Min.	Typ.	Max.	Unit	Condition
VCC	Logic/LCD Drive Voltage	4.5	5.0	5.5	[Volt]	±10%
ICC	Input Current	-	1.05	1.16	[A]	Vin=5V , All Black Pattern, at 75Hz
IRush	Inrush Current	-	-	3.0	[A]	Note
PCC	VCCPower	-	5.25	5.8	[Watt]	Vin=5V , All Black Pattern, at 75Hz
VCCrp	Allowable Logic/LCD Drive Ripple Voltage	-	-	200	[mV] p-p	With panel loading

Note: Measurement conditions:



## 5.1.2 Signal Electrical Characteristics

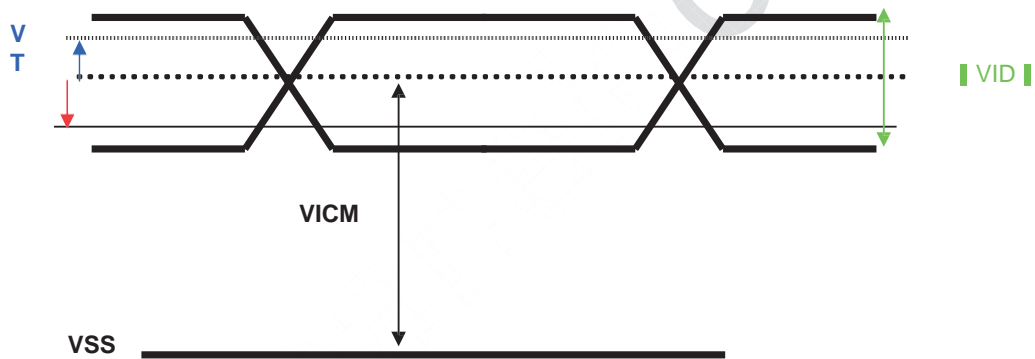
Input signals shall be low or Hi-Z state when Vin is off

It is recommended to refer the specifications of SN75LVDS82DGG (Texas Instruments) in detail.

Each signal characteristics are as follows;

Symbol	Parameter	Min	Typ	Max	Units	Condition
VTH	Differential Input High Threshold	-	-	+100	[mV]	VICM = 1.2V <b>Note</b>
VTL	Differential Input Low Threshold	-100	-	-	[mV]	VICM = 1.2V <b>Note</b>
VID	Input Differential Voltage	100	400	600	[mV]	<b>Note</b>
VICM	Differential Input Common Mode Voltage	+1.0	+1.2	+1.5	[V]	VTH/VTL = ±100mV <b>Note</b>

**Note:** LVDS Signal Waveform





## 5.2 Backlight Unit

Parameter guideline LED

Following characteristics are measured under stable condition at 25°C (Room Temperature)

Symbol	Parameter	Min.	Typ.	Max.	Unit	Remark
V <sub>LED</sub>	Input Voltage	10.8	12	12.6	Volt	
I <sub>LED</sub>	Input Current	-	1.18	-	A	100% Dimming
P <sub>LED</sub>	Power Consumption	-	14.16	-	Watt	100% Dimming
I <sub>INRUSH LED</sub>	Inrush Current	-	-	5.1	A	V <sub>LED</sub> rising time ~ 470us
F <sub>PWM</sub>	PWM Dimming Frequency	200	-	20K	Hz	Note 1,2
V <sub>PWM DIM</sub>	Swing Voltage High	4.5	5.0	5.5	Volt	
	Swing Voltage Low	-	-	0.8	Volt	
D <sub>PWM</sub>	Dimming Duty Cycle	10	-	100	%	
I <sub>F</sub>	LED Forward Current	-	110	-	mA	Ta = 25°C
V <sub>LED ON/OFF</sub>	On Control Voltage	3.0	3.3	5.5	Volt	Note 3, 4
	Off Control Voltage	-	-	0.8	Volt	
Operating Life		50000	-	-	Hrs	Note 5, 6

Note 1: PWM dimming function can be operated by PWM signal. PWM duty cycle can adjust white Luminance.

(PWM High: ON and PWM Low: OFF)

Note 2: PWM signal can not be floating and pull-down to ground when waiting.

Note 3: Enable (V<sub>LED ON/OFF</sub>) must be turned on late than V<sub>LED</sub> and PWM Signal.

Note 4: Enable (V<sub>LED ON/OFF</sub>) must be turned off early than V<sub>LED</sub> and PWM Signal.

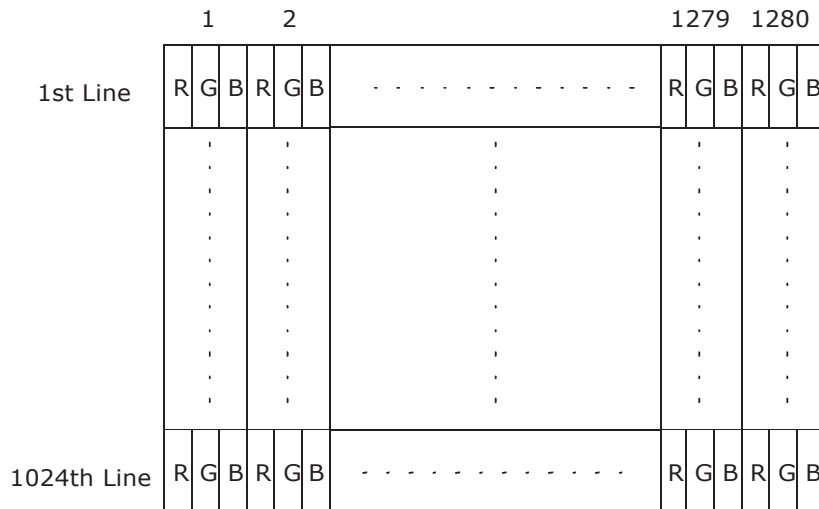
Note 5: If G170EG01 V1 module is driven by high current or at high ambient temperature & humidity condition. The operating life will be reduced.

Note 6: Operating life means brightness goes down to 50% initial brightness. Minimum operating life time is estimated data.

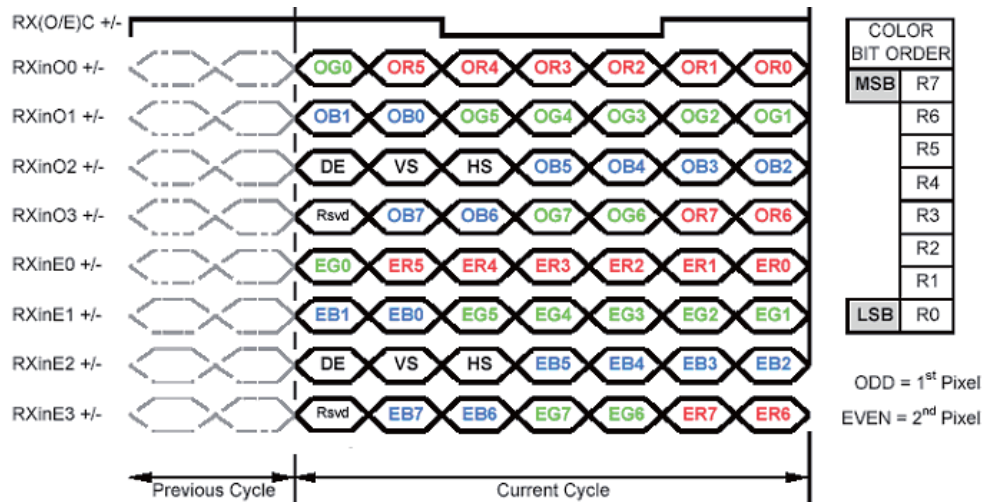
## 6. Signal Characteristic

### 6.1 Pixel Format Image

Following figure shows the relationship of the input signals and LCD pixel format.



### 6.2 The Input Data Format



Note1: Normally, DE, VS, HS on EVEN channel are not used.

Note2: Please follow PSWG.

Note3: 8-bit in



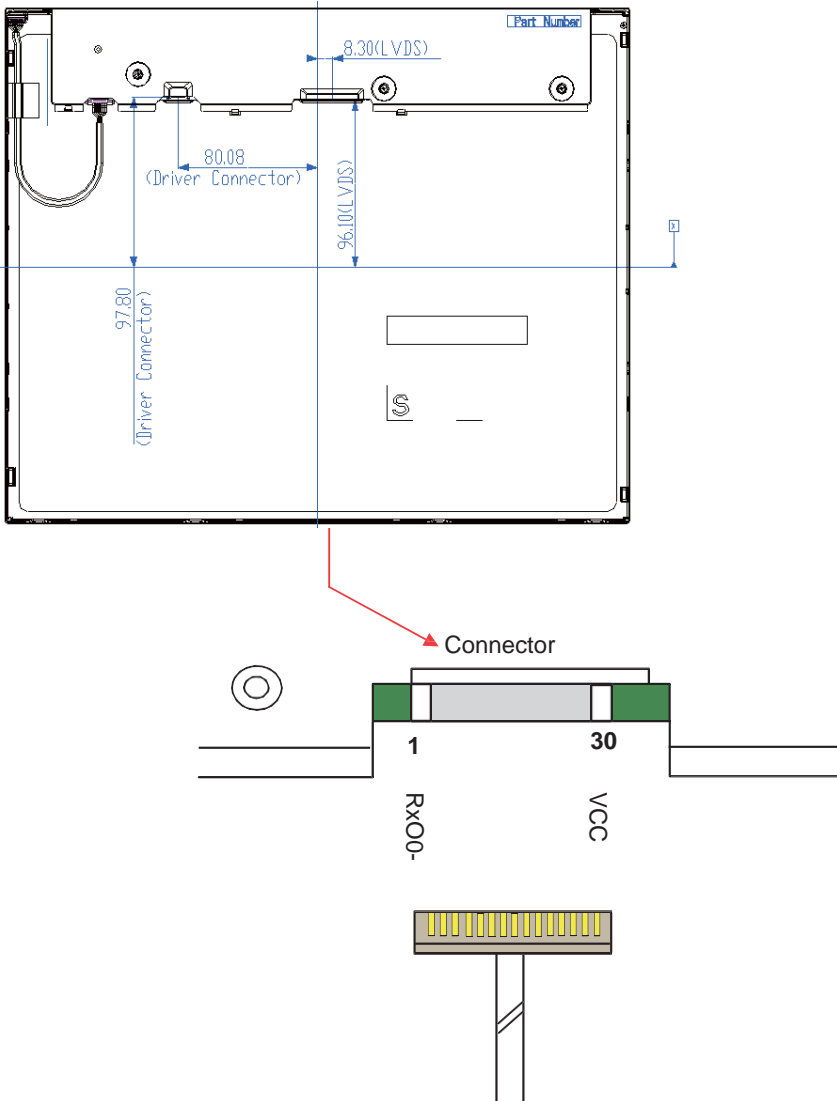


### 6.3 Signal Description

The module using a pair of LVDS receiver SN75LVDS82(Texas Instruments) or compatible. LVDS is a differential signal technology for LCD interface and high speed data transfer device. Transmitter shall be SN75LVDS83(negative edge sampling) or compatible. The first LVDS port(RxOxxx) transmits odd pixels while the second LVDS port(RxExxx) transmits even pixels.

PIN #	SIGNAL NAME	DESCRIPTION
1	RxO0-	Negative LVDS differential data input (Odd data)
2	RxO0+	Positive LVDS differential data input (Odd data)
3	RxO1-	Negative LVDS differential data input (Odd data)
4	RxO1+	Positive LVDS differential data input (Odd data)
5	RxO2-	Negative LVDS differential data input (Odd data, H-Sync,V-Sync,DSPTMG)
6	RxO2+	Positive LVDS differential data input (Odd data, H-Sync,V-Sync,DSPTMG)
7	GND	Power Ground
8	RxOC-	Negative LVDS differential clock input (Odd clock)
9	RxOC+	Positive LVDS differential clock input (Odd clock)
10	RxO3-	Negative LVDS differential data input (Odd data)
11	RxO3+	Positive LVDS differential data input (Odd data)
12	RxE0-	Negative LVDS differential data input (Even data)
13	RxE0+	Positive LVDS differential data input (Even data)
14	GND	Power Ground
15	RxE1-	Negative LVDS differential data input (Even data)
16	RxE1+	Positive LVDS differential data input (Even data)
17	GND	Power Ground
18	RxE2-	Negative LVDS differential data input (Even data)
19	RxE2+	Positive LVDS differential data input (Even data)
20	RxEC-	Negative LVDS differential clock input (Even clock)
21	RxEC+	Positive LVDS differential clock input (Even clock)
22	RxE3-	Negative LVDS differential data input (Even data)
23	RxE3+	Positive LVDS differential data input (Even data)
24	GND	Power Ground
25	GND	Power Ground (For AUO test Aging+HVS mode )
26	NC	No contact
27	GND	Power Ground
28	VCC	+5.0V Power Supply
29	VCC	+5.0V Power Supply
30	VCC	+5.0V Power Supply

Note1: Start from left side



Note2: Input signals of odd and even clock shall be the same timing.

Note3: Please follow PSWG.



## 6.4 Timing Characteristics

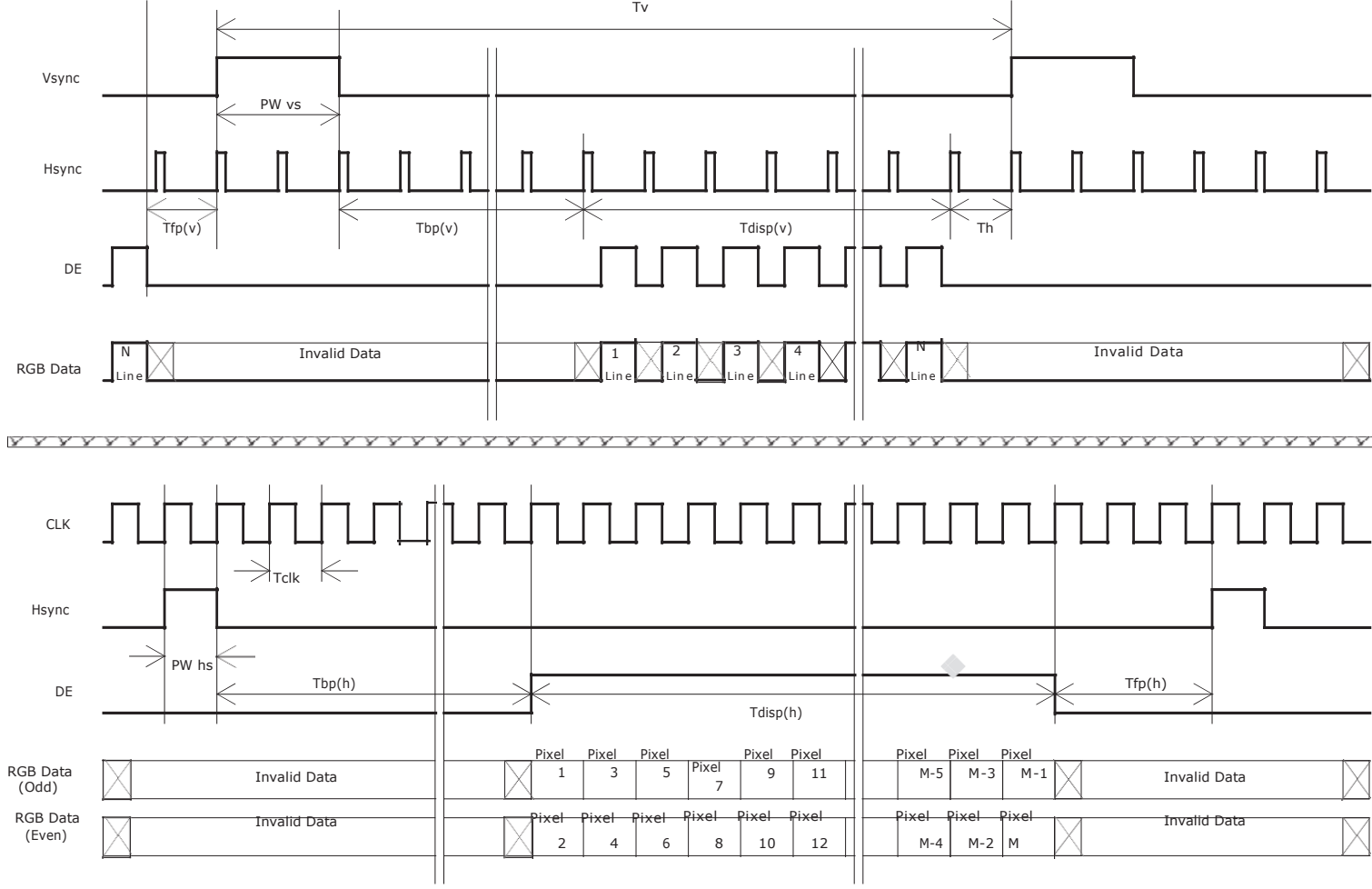
### 6.4.1 Timing Characteristics

Basically, interface timings described here is not actual input timing of LCD module but output timing of SN75LVDS82DGG (Texas Instruments) or equivalent.

Signal	Item	Symbol	Min	Typ	Max	Unit
Vertical Section	Period	Tv	1034	1066	2048	Th
	Active	Tdisp(v)	1024	1024	1024	Th
	Blanking	Tbp(v)+Tfp(v)+PWvs	10	42	1024	Th
Horizontal Section	Period	Th	750	844	2048	Tclk
	Active	Tdisp(h)	640	640	640	Tclk
	Blanking	Tbp(h)+Tfp(h)+PWhs	110	204	1408	Tclk
Clock	Period	Tclk	14.81	18.52	25	ns
	Frequency	Freq	40	54	70	MHz
Frame rate	Frame rate	F	49	60	76	Hz

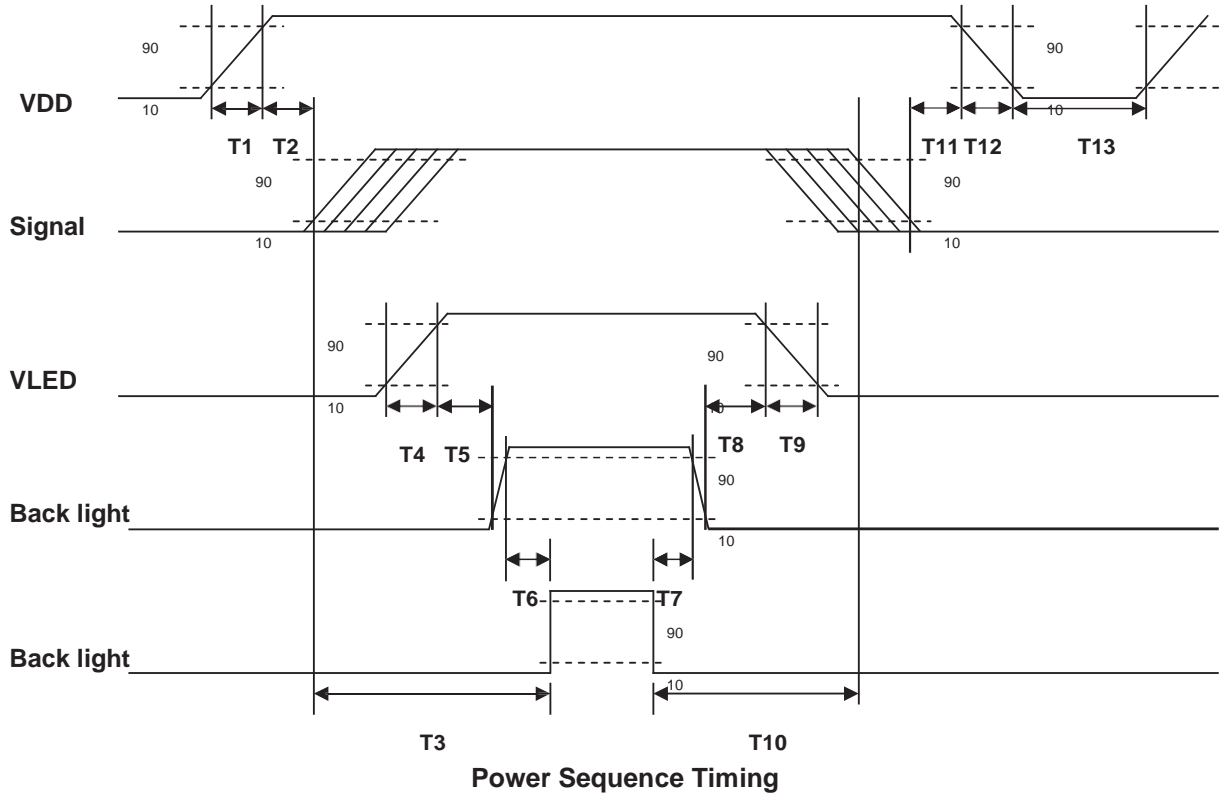
**Note :** DE mode only

6.4.2 Timing Diagram



### 6.5 Power ON/OFF Sequence

VDD power and lamp on/off sequence is as follows. Interface signals are also shown in the chart. Signals from any system shall be Hi-Z state or low level when VDD is off.



Parameter	Value			Unit
	Min.	Typ.	Max.	
T1	0.5	-	10	[ms]
T2	30	40	50	[ms]
T3	200	-	-	[ms]
T4	0.5	-	10	[ms]
T5	10	-	-	[ms]
T6	10	-	-	[ms]
T7	0	-	-	[ms]
T8	10	-	-	[ms]
T9	-	-	10	[ms]
T10	110	-	-	[ms]
T11	0	16	50	[ms]
T12	-	-	10	[ms]
T13	1000	-	-	[ms]



## 7. Connector & Pin Assignment

Physical interface is described as for the connector on module. These connectors are capable of accommodating the following signals and will be following components.

### 7.1 TFT LCD Module

#### 7.1.1 Connector

Connector Name / Designation	Interface Connector
Manufacturer	JAE or Compatible
Type Part Number	FI-XB30SSL-HF15 or Compatible
Mating Housing Part Number	JAE FI-X30HL or Compatible

#### 7.1.2 Pin Assignment

Pin#	Signal Name	Pin#	Signal Name
1	RxOIN0-	2	RxOIN0+
3	RxOIN1-	4	RxOIN1+
5	RxOIN2-	6	RxOIN2+
7	GND	8	RxOCLKIN-
9	RxOCLKIN+	10	RxOIN3-
11	RxOIN3+	12	RxEIN0-
13	RxEIN0+	14	GND
15	RxEIN1-	16	RxEIN1+
17	GND	18	RxEIN2-
19	RxEIN2+	20	RxECLKIN-
21	RxECLKIN+	22	RxEIN3-
23	RxEIN3+	24	GND
25	GND (AGMODE+HVS)	26	NC
27	GND	28	VCC
29	VCC	30	VCC

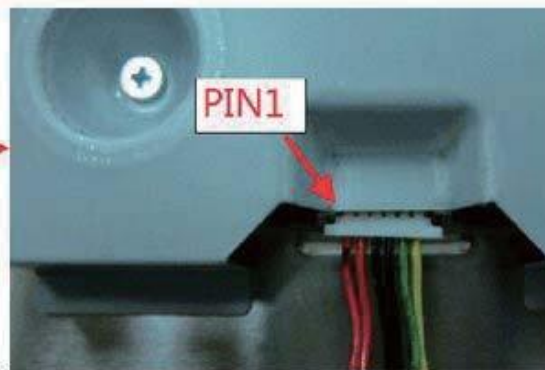
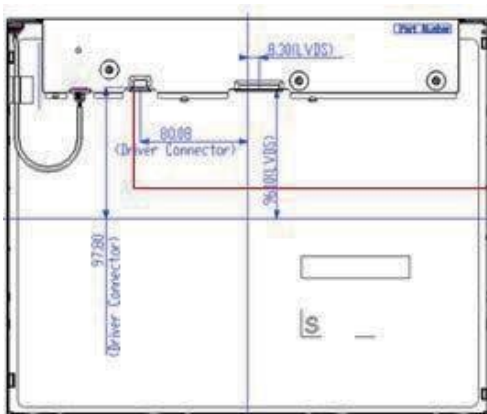
## 7.2 Backlight Unit

Physical interface is described as for the connector on module. These connectors are capable of accommodating the following signals and will be following components.

Connector Name / Designation	Lamp Connector
Manufacturer	E&T or compatible
Connector Model Number	3806K-F06Y-03R or compatible
Mating Connector Model Number	H208K-P06N-02B or compatible

### 7.2.1 Signal for LED driver connector

Pin#	Symbol	Signal Name
1	VCC	12V
2	VCC	12V
3	GND	GND
4	GND	GND
5	Display on	5V-On / 0V-Off
6	Dimming	PWM Dimming





## 8. Reliability Test

Environment test conditions are listed as following table.

Items	Required Condition	Note
Temperature Humidity Bias (THB)	Ta= 50℃, 80%RH, 300hours	
High Temperature Operation	Ta= 85℃, 300hours	
Low Temperature Operation (LTO)	Ta= -30℃, 300hours	
High Temperature Storage (HTS)	Ta= 85℃, 300hours	
Low Temperature Storage (LTS)	Ta= -30℃, 300hours	
Vibration Test (Non-operation)	Acceleration: 1.5 G Wave: Random Frequency: 10 - 200 - 10 Hz Sweep: 30 Minutes each Axis (X, Y, Z)	
Shock Test (Non-operation)	Acceleration: 50 G Wave: Half-sine Active Time: 20 ms Direction: ±X, ±Y, ±Z (one time for each Axis)	
Drop Test	Height: 60 cm, package test	
Thermal Shock Test (TST)	-20℃/30min, 60℃/30min, 100 cycles	
On/Off Test	On/10sec, Off/10sec, 30,000 cycles	
ESD	Contact Discharge: ± 8KV, 150pF(330K ) 1sec, 8 points, 25 times/ point.	1
	Air Discharge: ± 15KV, 150pF(330K ) 1sec 8 points, 25 times/ point.	
EMI	30-230 MHz, limit 40 dBu V/m, 230-1000 MHz, limit 47 dBu V/m	
Altitude Test	Operation:10,000 ft Non-Operation:30,000 ft	

Note1: According to EN61000-4-2, ESD class B: Some performance degradation allowed. No data lost

Self-recoverable. No hardware failures.

Note2:

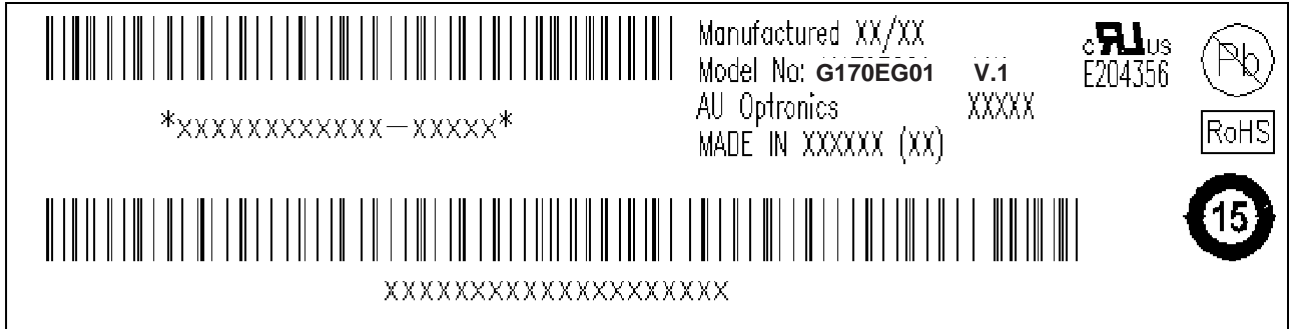
- Water condensation is not allowed for each test items.
- Each test is done by new TFT-LCD module. Don't use the same TFT-LCD module repeatedly for reliability test.
- The reliability test is performed only to examine the TFT-LCD module capability.
- To inspect TFT-LCD module after reliability test, please store it at room temperature and room humidity for 24 hours at least in advance.
- No function failure occurs.



## 9. Label and Packaging

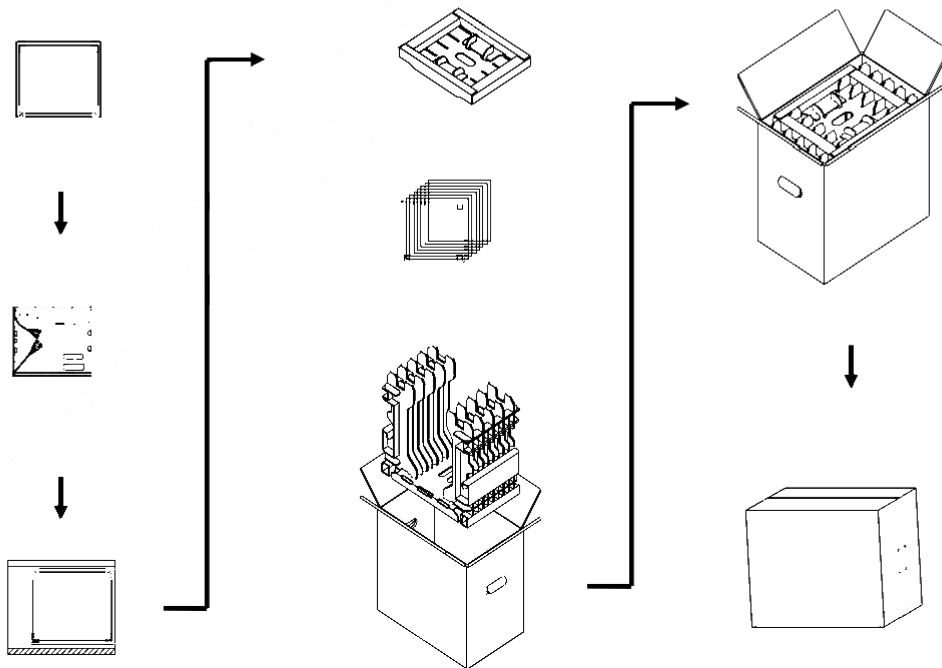
### 9.1 Shipping Label (on the rear side of TFT-LCD display)

The shipping label format is shown as below.



### 9.2 Carton Package

- Max capacity : 8 TFT-LCD module per carton
- Max weight: 18 kg per carton
- Outside dimension of carton: 434(L)mm\*278(W)mm\*391(H)mm



## 9.3 Palletizing

	MAX SHIPPING BY AIR	MAX SHIPPING BY SEA	MAX SHIPPING BY SEA_HQ
MODULE/CARTON	8	8	7
CARTON/LAYER	8	8	8
LAYER/PALLET	3	3+1	3+2
MODULE/PALLET	192	256	280
CARTON SIZE(MM)	434(L)*278(W)*39(H)	434(L)*278(W)*39(H)	434(L)*278(W)*39(H)
PALLET SIZE(MM)	1140(L)*890(W)*135(H)	1140(L)*890(W)*135(H)	1140(L)*890(W)*135(H)
TOTAL PALLET HEIGHT(MM)	1308	1834	2258
TOTAL PALLET WEIGHT(KG)	445	602	746

ONE PALLET SHIPMENT EXAMPLE SHIPPING BY AIR USED

TWO PALLETS SHIPMENT EXAMPLE SHIPPING BY SEA USED

TWO PALLETS SHIPMENT EXAMPLE SHIPPING BY SEA\_HQ USED

10. Mechanical Characteristics

